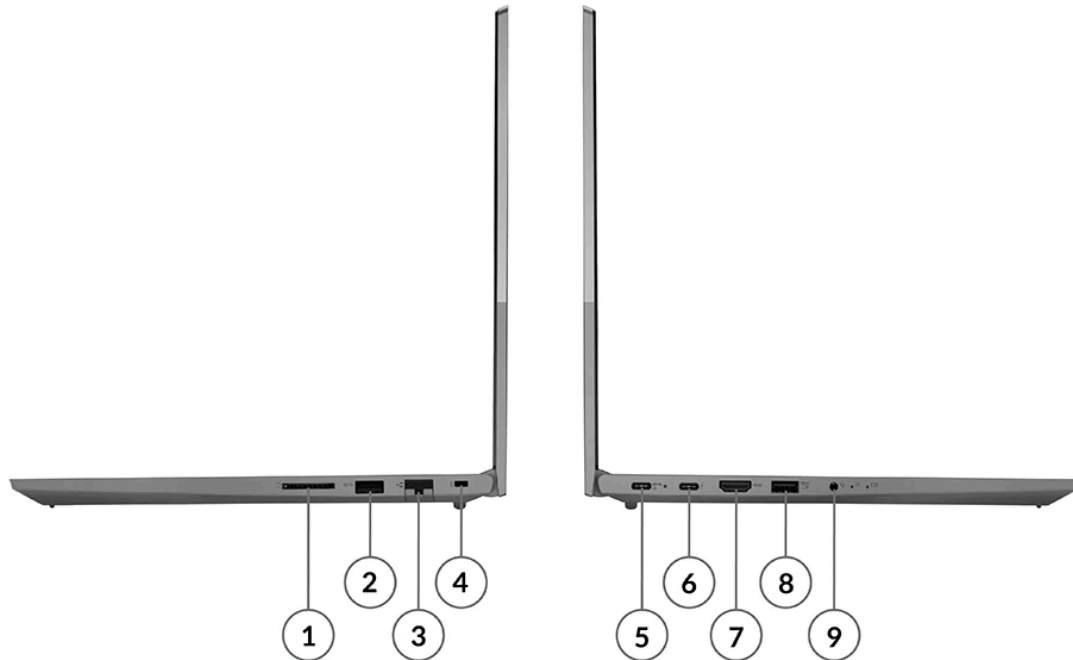


OVERVIEW



1. SD card reader	6. Thunderbolt 4
2. USB 3.2 Gen 1	7. HDMI
3. Ethernet (RJ-45)	8. USB 3.2 Gen 1 (Always On)
4. Kensington Nano Security Slot	9. Headphone / microphone combo jack (3.5mm)
5. USB-C 3.2 Gen 2	

PERFORMANCE

Processor

Processor Family

13th Generation Intel® U or P Series Core™ i3 / i5 / i7 Processor

Processor**

Processor Name	Cores	Threads	Base Frequency	Max Frequency	Cache	Processor Graphics
Core™ i3-1315U	6 (2 P-core + 4 E-core)	8	P-core 1.2GHz / E-core 0.9GHz	P-core 4.5GHz / E-core 3.3GHz	10MB	Intel® UHD Graphics
Core™ i5-1335U	10 (2 P-core + 8 E-core)	12	P-core 1.3GHz / E-core 0.9GHz	P-core 4.6GHz / E-core 3.4GHz	12MB	Intel® Iris® Xe Graphics ^[1]
Core™ i5-1340P	12 (4 P-core + 8 E-core)	16	P-core 1.9GHz / E-core 1.4GHz	P-core 4.6GHz / E-core 3.4GHz	12MB	Intel® Iris® Xe Graphics ^[2]
Core™ i7-1355U	10 (2 P-core + 8 E-core)	12	P-core 1.7GHz / E-core 1.2GHz	P-core 5.0GHz / E-core 3.7GHz	12MB	Intel® Iris® Xe Graphics ^[3]
Core™ i7-1360P	12 (4 P-core + 8 E-core)	16	P-core 2.2GHz / E-core 1.6GHz	P-core 5.0GHz / E-core 3.7GHz	18MB	Intel® Iris® Xe Graphics ^[4]

Notes:

[1], [2], [3], [4] Intel® Iris® Xe Graphics capability requires system to be configured with dual-channel memory. On the system with single-channel memory, Intel® Iris® Xe Graphics will function as Intel® UHD Graphics.

Operating System

Operating System**

- Windows® 11 Pro
- Windows® 11 Home
- Windows® 11 Home Single Language
- Windows® 11 DG Windows® 10 Pro 64
- No preload operating system

Graphics

Graphics**

Graphics	Type	Memory	TGP	Key Features
Intel® UHD Graphics	Integrated	Shared	Share CPU TDP	DirectX® 12.1
Intel® Iris® Xe Graphics ^[1]	Integrated	Shared	Share CPU TDP	DirectX® 12.1

Notes:

[1] Intel® Iris® Xe Graphics capability requires system to be configured with dual-channel memory. On the system with single-channel memory, Intel® Iris® Xe Graphics will function as Intel® UHD Graphics.

Monitor Support

Monitor Support

Supports up to 4 independent displays (native display and 3 external monitors via HDMI®, USB-C® and Thunderbolt™)

- HDMI® supports up to 3840x2160@60Hz
- USB-C® supports up to 5120x3200@60Hz
- Thunderbolt™ supports up to 5120x3200@60Hz

Chipset

Chipset

Intel® SoC (System on Chip) platform

Memory

Max Memory^[1]

ThinkBook 15 G5 IRL

Up to 16GB (8GB soldered + 8GB SO-DIMM) DDR4-3200 offering

Memory Slots

One memory soldered to systemboard, one DDR4 SO-DIMM slot, dual-channel capable

Memory Type

DDR4-3200

Notes:

[1] The max memory is based on the test results with current Lenovo® memory offerings.

Storage

Storage Support^{[1][2]}

Up to two drives, 2x M.2 SSD

- M.2 2242 SSD up to 1TB
- M.2 2280 SSD up to 1TB

Storage Slot

Two M.2 2280 PCIe® 4.0 x4 slots

Storage Type**

Disk Type	Interface	Offering
M.2 2280 SSD	PCIe® NVMe®, PCIe® 4.0 x4	512GB / 1TB
M.2 2242 SSD	PCIe® NVMe®, PCIe® 4.0 x4	256GB / 512GB / 1TB

Notes:

[1] The storage capacity supported is based on the test results with current Lenovo® storage offerings.

[2] The system supports dual SSD via two M.2 slots, but Lenovo® only offers one SSD configuration, another SSD slot for user self-extension.

Removable Storage

Card Reader

SD card reader

Multi-Media

Audio Chip

High Definition (HD) Audio, Realtek® ALC3287 codec

Speakers

Stereo speakers, 2W x2, Dolby Audio™

Microphone

Dual-microphone array with noise-cancelling

Camera**

- FHD 1080p, with privacy shutter, fixed focus
- HD 720p, with privacy shutter, fixed focus

Battery

Battery**

- Integrated Li-Polymer 45Wh battery, supports Rapid Charge Pro (charge up to 50% in 30min)
- Integrated Li-Polymer 60Wh battery, supports Rapid Charge (charge up to 80% in 1hr)

Max Battery Life^[1]

- MobileMark® 2014: 7.6 hr (45Wh)
- MobileMark® 2018: 9.5 hr (60Wh)

Notes:

[1] All battery life claims are approximate maximum and based on results using the MobileMark® 2014, MobileMark® 2018, MobileMark® 25, JEITA 2.0, continuous 1080p video playback (with 150nits brightness and default volume level) or Google Power Load Test (PLT) battery-life benchmark tests. Actual battery life will vary depending on many factors such as product configuration and usage, software use, wireless functionality, power management settings, and screen brightness.

The maximum capacity of the battery will decrease with time and use.

Power Adapter

Power Adapter**^[1]

- 65W USB-C® (3-pin) AC adapter, supports PD 3.0, 100-240V, 50-60Hz
- 65W USB-C® slim (wall-mount) AC adapter, supports PD 3.0, 100-240V, 50-60Hz

Notes:

^[1] AC adapter offerings depend on the country.

DESIGN

Display

Display**

Size	Resolution	Touch	Type	Brightness	Surface	Aspect Ratio	Contrast Ratio	Color Gamut	Viewing Angle (L/R/U/D)	Key Features
15.6"	FHD (1920x1080)	None	TN	250nits	Anti-glare	16:9	500:1	45% NTSC	45°/45°/15°/35°	-
15.6"	FHD (1920x1080)	None	IPS ^[1]	300nits	Anti-glare	16:9	800:1	45% NTSC	85°/85°/85°/85°	TÜV Low Blue Light
15.6"	FHD (1920x1080)	None	IPS ^[2]	300nits	Anti-glare	16:9	1200:1	100% sRGB	85°/85°/85°/85°	TÜV Low Blue Light

Touchscreen

Non-touch

Notes:

^[1], ^[2] IPS (in-plane switching) technology may refer to IPS, PLS, ADS, AHVA, AAS.

Input Device

Keyboard

6-row, spill-resistant, multimedia Fn keys, SMB Service Hot key, numeric keypad

Keyboard Backlight

- LED backlight
- Non-backlight

Touchpad

Buttonless Mylar® surface multi-touch touchpad, supports Precision TouchPad (PTP), 70 x 105 mm (2.76 x 4.13 inches)

Mechanical

Dimensions (WxDxH)^[1]

357 x 235 x 18.9 mm (14.1 x 9.25 x 0.74 inches)

Weight^[2]

Starting at 1.7 kg (3.75 lbs)

Case Color

Mineral grey, dual-tone design

Surface Treatment

Anodizing sandblasting

Case Material

Aluminium (top), PC-ABS (bottom)

Notes:

^[1] The system dimensions may vary depending on configurations.

^[2] The system weight is approximate and based on results in Lenovo® lab, which varies depending on the source of component, variance of the distribution of each component, and manufacturing process. It may not be the exact weight

for each specific model.

CONNECTIVITY

Network

Ethernet**^[1]

- Gigabit Ethernet, Intel® Ethernet Connection I219-LM (vPro® models), 1x RJ-45, supports Wake-on-LAN
- Gigabit Ethernet, Intel® Ethernet Connection I219-V (non-vPro® models), 1x RJ-45, supports Wake-on-LAN

WLAN + Bluetooth®**^[2]

- Wi-Fi® 6, 802.11ax 2x2 Wi-Fi® + Bluetooth® 5.2, M.2 card^[3]
- Wi-Fi® 6E, 802.11ax 2x2 Wi-Fi® + Bluetooth® 5.3, M.2 card^[4]

Notes:

[1] Wake-on-LAN needs the power adapter plugged in.

[2] Bluetooth® may operate at a lower version than hardware design depending on the factors such as operating system, driver, etc.

[3] Wi-Fi® 6 full features might be limited by country-level restrictions.

[4] Wi-Fi® 6E full features might be limited by country-level restrictions.

6GHz Wi-Fi® 6E operation is dependent on the support of the operating system, routers/APs/Gateways that support Wi-Fi® 6E, and the regional regulatory certifications & spectrum allocation.

Ports^[1]

Standard Ports

- 1x USB 3.2 Gen 1
- 1x USB 3.2 Gen 1 (Always On)
- 1x USB-C® 3.2 Gen 2 (support data transfer, Power Delivery 3.0 and DisplayPort™ 1.4)
- 1x Thunderbolt™ 4 / USB4® 40Gbps (support data transfer, Power Delivery 3.0 and DisplayPort™ 1.4)
- 1x HDMI® 2.1, up to 4K/60Hz
- 1x Headphone / microphone combo jack (3.5mm)
- 1x Ethernet (RJ-45)
- 1x SD card reader

Notes:

[1] The transfer speed of following ports will vary and, depending on many factors, such as the processing speed of the host device, file attributes and other factors related to system configuration and your operating environment, will be slower than theoretical speed.

USB 2.0: 480 Mbit/s;

USB 3.2 Gen 1 (SuperSpeed USB 5Gbps, formerly USB 3.0 / USB 3.1 Gen 1): 5 Gbit/s;

USB 3.2 Gen 2 (SuperSpeed USB 10Gbps, formerly USB 3.1 Gen 2): 10 Gbit/s;

USB4® 20Gbps / USB 3.2 Gen 2x2 (SuperSpeed USB 20Gbps): 20 Gbit/s;

USB4® 40Gbps (USB 40Gbps): 40 Gbit/s;

Thunderbolt™ 3/4: 40 Gbit/s.

Docking

Docking

Various docking solutions supported via Thunderbolt™ or USB-C®.

For more compatible docking solutions, please visit [Docking for ThinkBook 15 G5 IRL](#)

SECURITY & PRIVACY

Security

Security Chip

Firmware TPM 2.0 integrated in SoC

Physical Locks

Kensington® Nano Security Slot™, 2.5 x 6 mm

Fingerprint Reader

Touch style fingerprint reader integrated in smart power button

BIOS Security

- Administrator password
- Hard disk password
- Power-on password
- Self-healing BIOS

Other Security

Camera privacy shutter

MANAGEABILITY

System Management

System Management

- Intel® vPro® Essentials^[1]
- Non-vPro®

Notes:

[1] Intel® vPro® offers a superset of DASH's defined capabilities.

SERVICE

Warranty

Base Warranty**

- 1-year courier or carry-in service
- 2-year (1-yr battery) courier or carry-in service

ACCESSORIES

Bundled Accessories

Bundled Accessories^[1]

- Lenovo® 15.6" laptop casual toplayer, polyester
- None

Notes:

[1] For more compatible accessory solutions, please visit [Accessories for ThinkBook 15 G5 IRL](#)

OPERATING REQUIREMENTS

Operating Environment

Temperature^[1]

- At altitudes up to 2438 m (8,000 ft)
 - Operating: 5°C to 35°C (41°F to 95°F)
 - Storage: 5°C to 43°C (41°F to 109°F)
- At altitudes above 2438 m (8,000 ft)
 - Maximum temperature when operating under the unpressurized condition: 31.3°C (88°F)

Relative Humidity

- Operating: 8% to 95% at wet-bulb temperature 23°C (73°F)
- Storage: 5% to 95% at wet-bulb temperature 27°C (81°F)

Altitude

Maximum altitude (without pressurization): 3048 m (10,000 ft)

Notes:

[1] When you charge the battery, its temperature must be no lower than 10°C (50°F).

CERTIFICATIONS

Green Certifications^[1]

Green Certifications^[2]

- ENERGY STAR® 8.0
- EPEAT™ Gold Registered^[3]
- ErP Lot 6
- ErP Lot 26
- RoHS compliant

Notes:

[1] The items listed under the "Green Certifications" section may not only refer to certification but also registration or self-declaration. For ESG & regulatory compliance documents, please visit <https://compliance.lenovo.com>.

[2] EPEAT™ registration and ENERGY STAR® certification are dependent on system OS. Please visit epeat.net and energystar.gov for more information.

[3] EPEAT™ is registered where applicable, please visit epeat.net for registration status by country.

Other Certifications

Mil-Spec Test

MIL-STD-810H military test passed

Other Certifications^[1]

(Optional) TÜV Rheinland® Low Blue Light (Software Solution)

Notes:

[1] TÜV Rheinland® Low Blue Light is Not applicable for TN display.

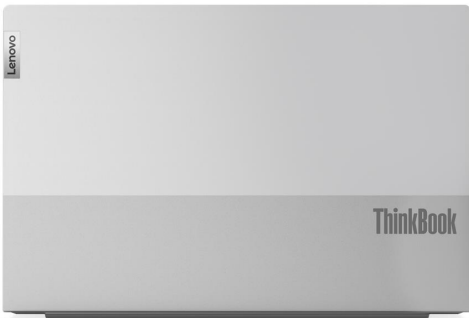
- Feature with ** means that only one offering listed under the feature is configured on selected models.
- Lenovo reserves the right to change specifications or other product information without notice. Lenovo is not responsible for photographic or typographical errors. LENOVO PROVIDES THIS PUBLICATION "AS IS," WITHOUT WARRANTY OF ANY KIND, EITHER EXPRESS OR IMPLIED, INCLUDING THE IMPLIED WARRANTIES OF MERCHANTABILITY OR FITNESS FOR A PARTICULAR PURPOSE. Some jurisdictions do not allow disclaimer of express or implied warranties in certain transactions, therefore this disclaimer may not apply to you.
- The specifications on this page may not be available in all regions, and may be changed or updated without notice.



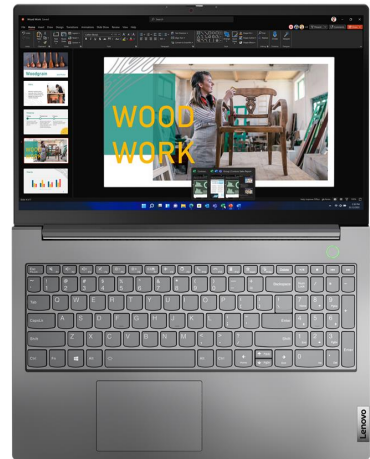
intel



intel



intel



intel



intel



intel